

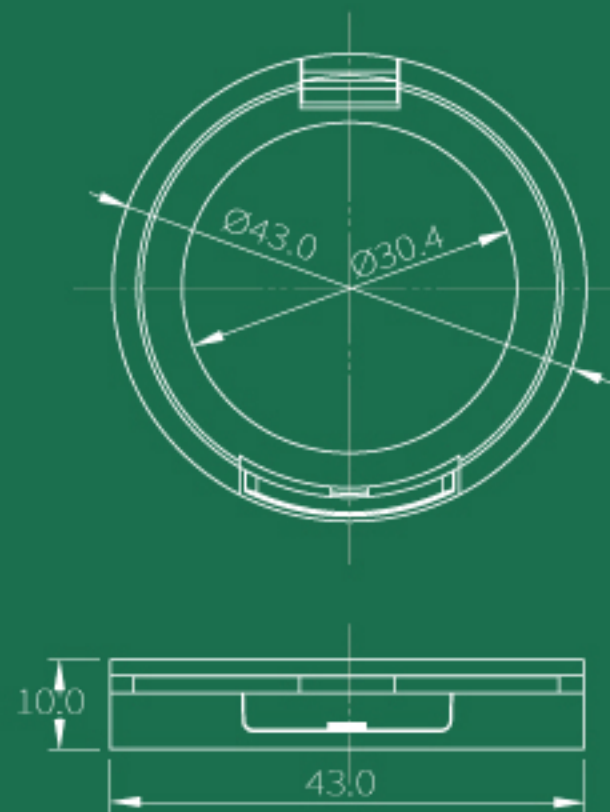
PCRA30

SIZE $\phi 40.0 \text{ mm} \times 10.0 \text{ mm}$

CAPACITY 2 g

MATERIAL PCR

Lomei



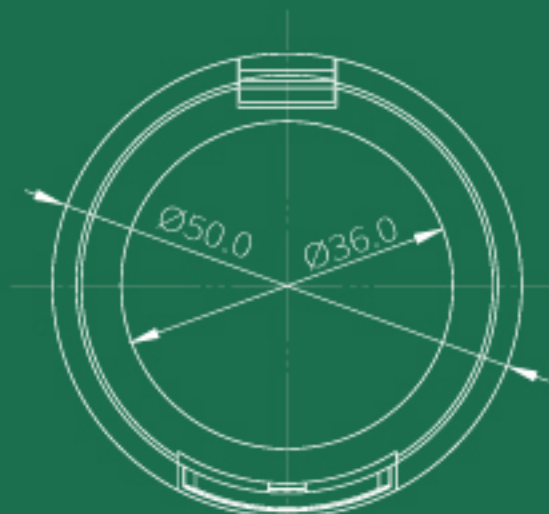
PCR56S

SIZE $\phi 50.0 \text{ mm} \times 11.0 \text{ mm}$

CAPACITY 2.5 g

MATERIAL PCR

Lomei



PCR757-1

SIZE $\phi 74.0 \text{ mm} \times 17.0 \text{ mm}$

CAPACITY 10 g

MATERIAL PCR

Lomei

