

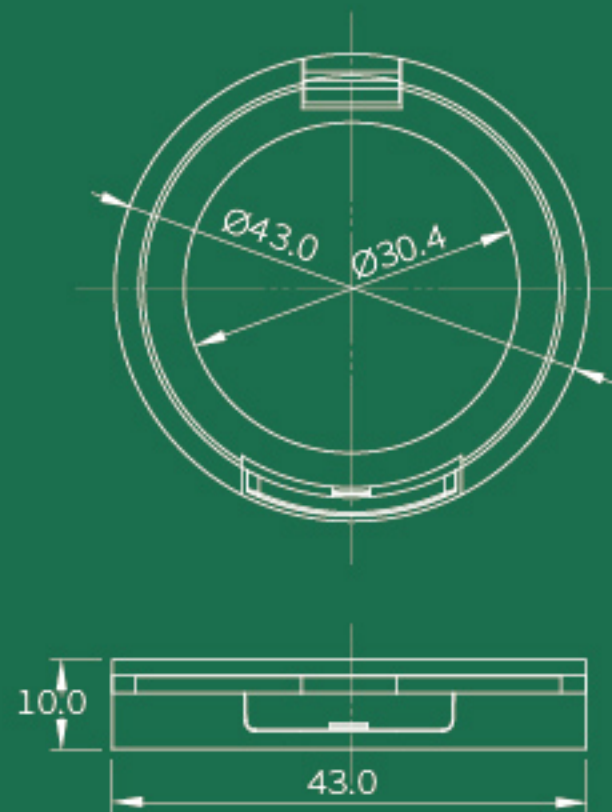
A30

SIZE $\phi 43.0 \text{ mm} \times 10.0 \text{ mm}$

CAPACITY 2 g

MATERIAL PMMA

Lomei



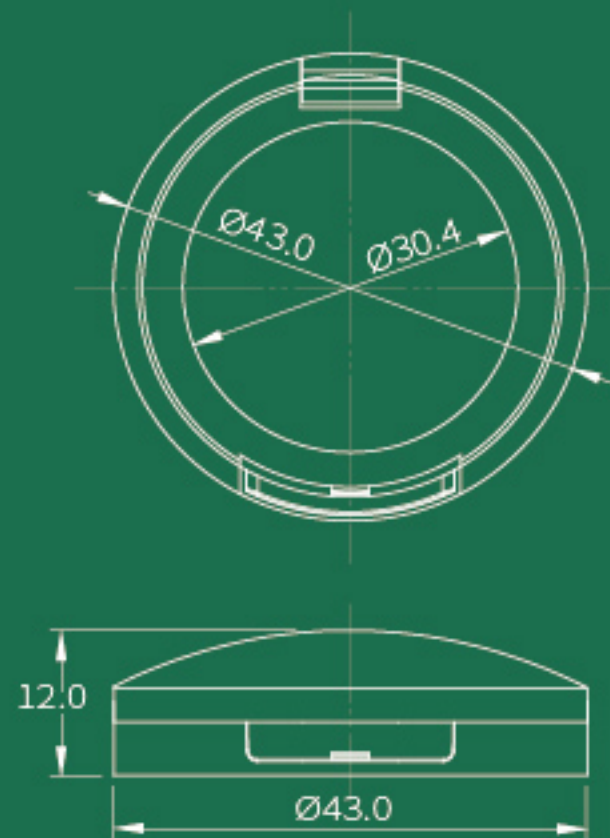
A30B

SIZE $\phi 43.0 \text{ mm} \times 12.0 \text{ mm}$

CAPACITY 2 g

MATERIAL PMMA

Lomei



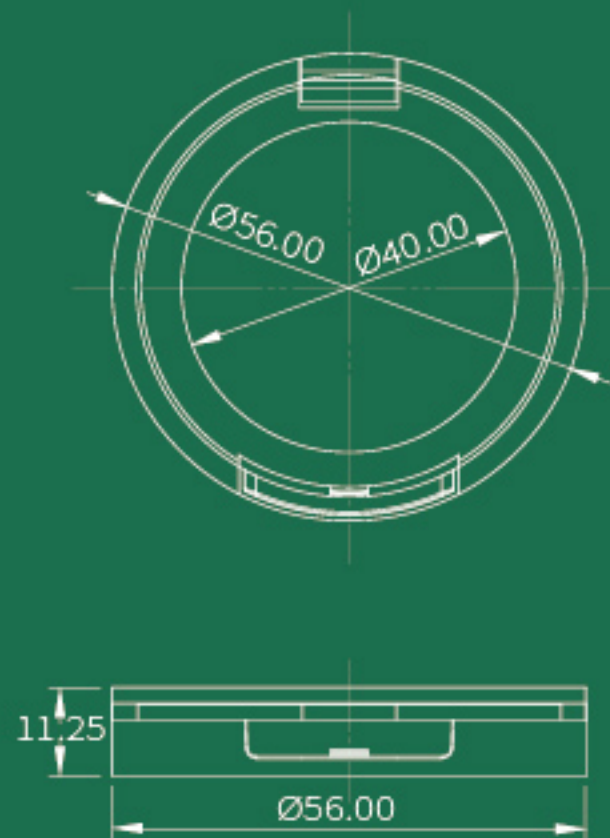
A56

SIZE $\phi 56.00 \text{ mm} \times 11.25 \text{ mm}$

CAPACITY 5.5 g

MATERIAL PMMA

Lomei



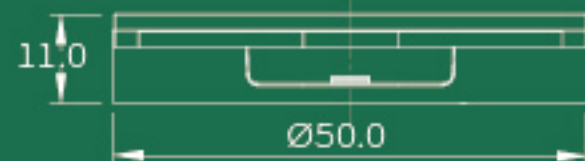
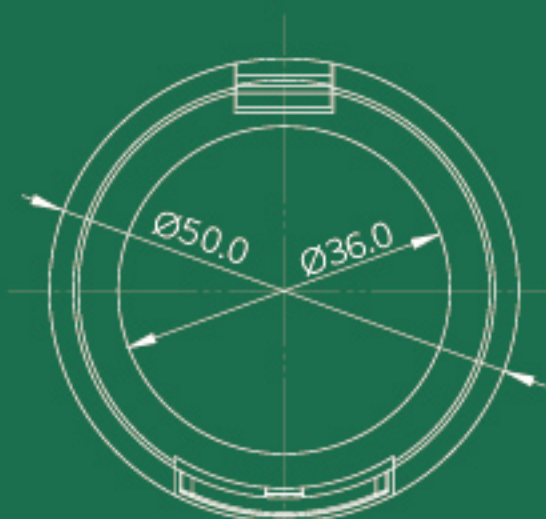
A56S

SIZE $\phi 50.0 \text{ mm} \times 11.0 \text{ mm}$

CAPACITY 2.5 g

MATERIAL PMMA

Lomei



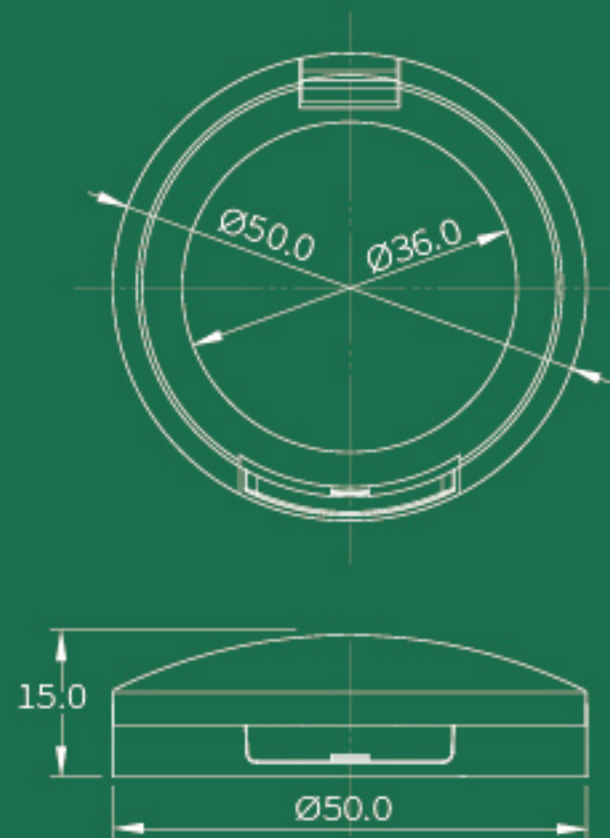
A56SB

SIZE $\phi 50.0 \text{ mm} \times 15.0 \text{ mm}$

CAPACITY 2.5 g

MATERIAL PMMA

Lomei



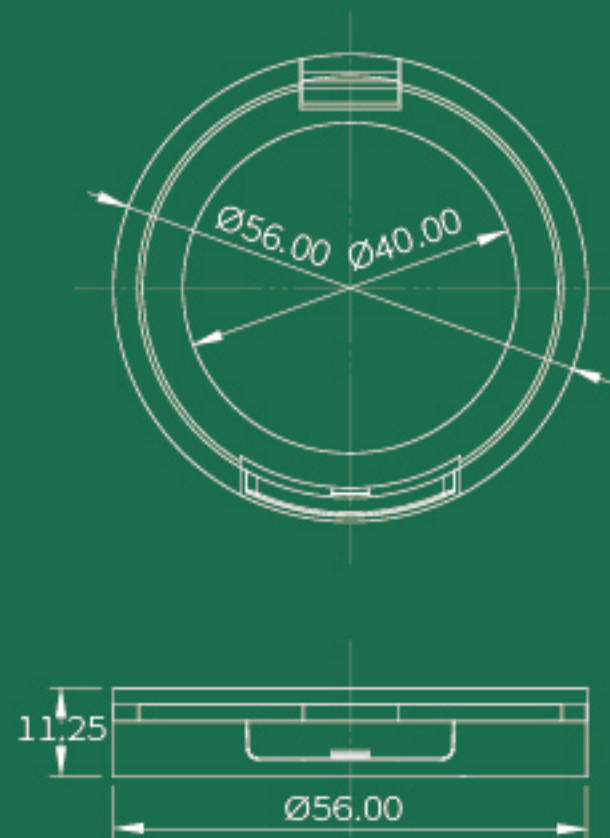
A56W

SIZE $\phi 56.0 \text{ mm} \times 11.25 \text{ mm}$

CAPACITY 5.5 g

MATERIAL PMMA

Lomei



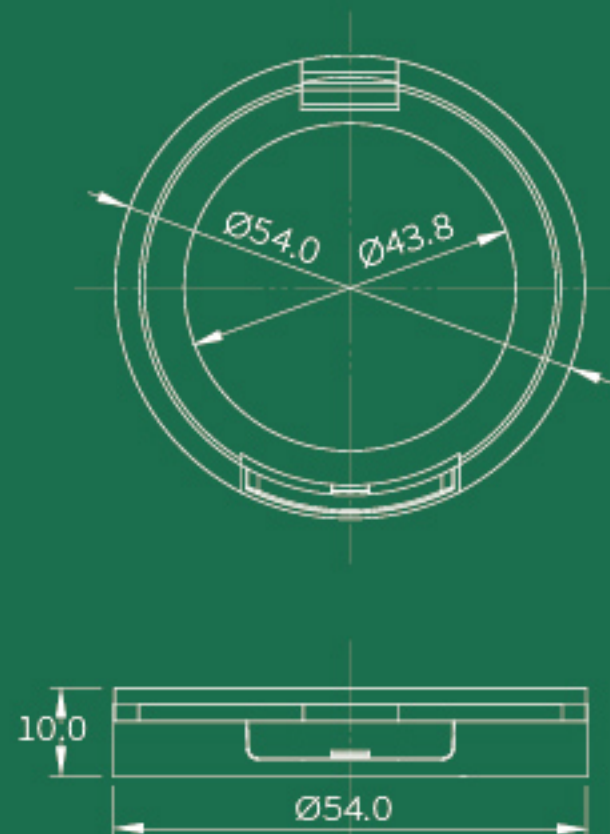
A58

SIZE $\phi 54.0 \text{ mm} \times 10.0 \text{ mm}$

CAPACITY 5 g

MATERIAL PMMA

Lomei



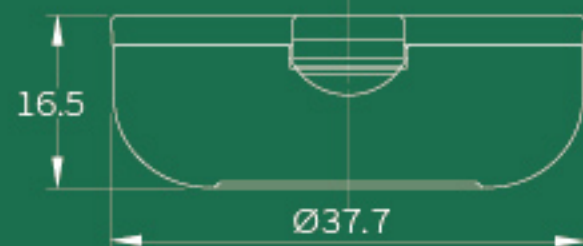
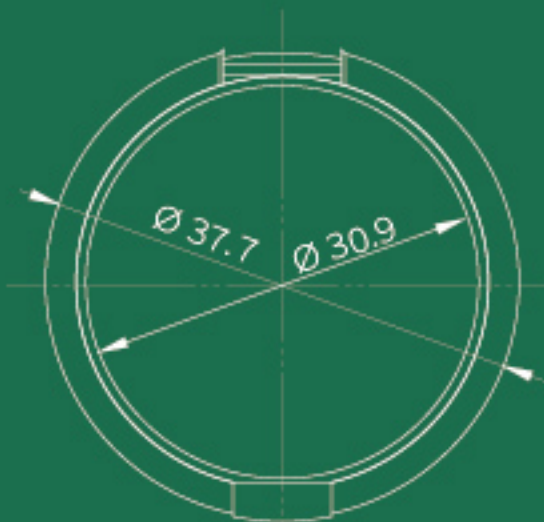
A122

SIZE $\phi 37.7$ mm \times 16.5 mm

CAPACITY 5.5 g

MATERIAL SAN

Lomei



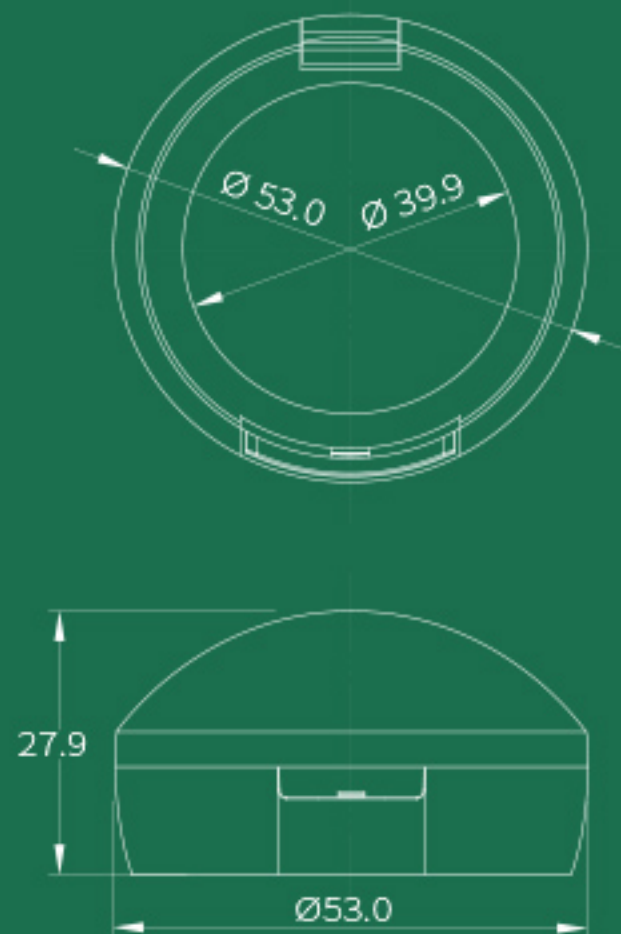
A358

SIZE $\phi 53.0$ mm \times 27.9 mm

CAPACITY

MATERIAL PMMA

Lomei



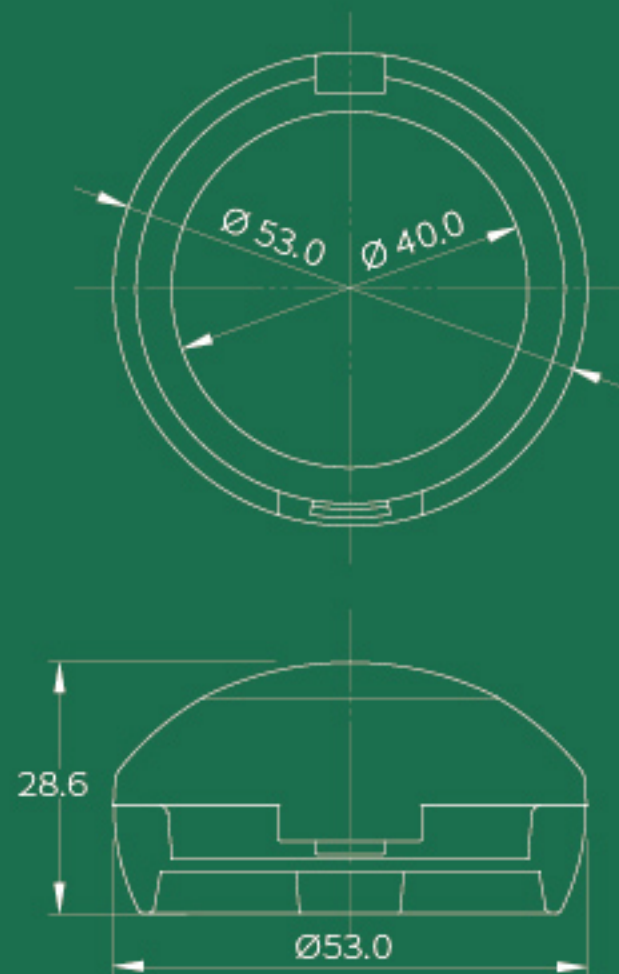
A368

SIZE $\phi 53.0 \text{ mm} \times 28.6 \text{ mm}$

CAPACITY

MATERIAL SAN

Lomei



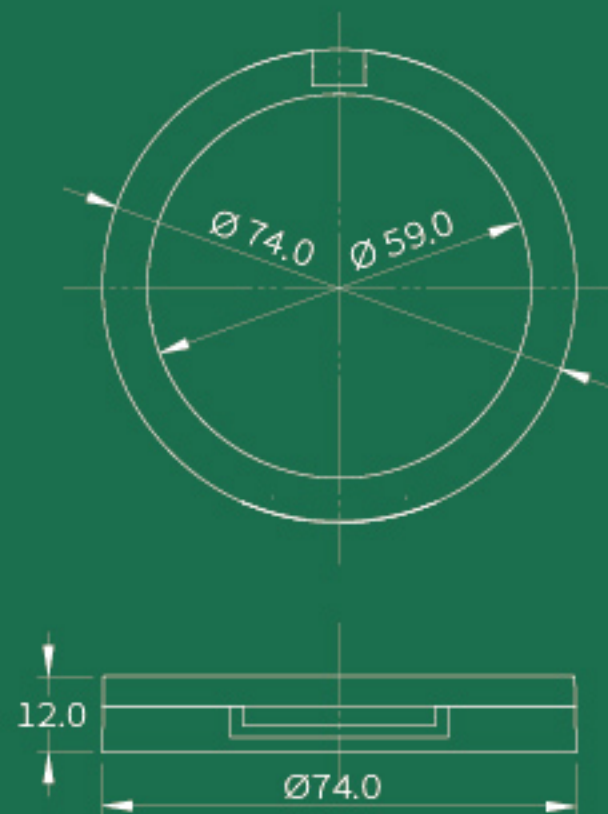
A747

SIZE $\phi 74.0 \text{ mm} \times 12.0 \text{ mm}$

CAPACITY 10 g

MATERIAL PMMA

Lomei



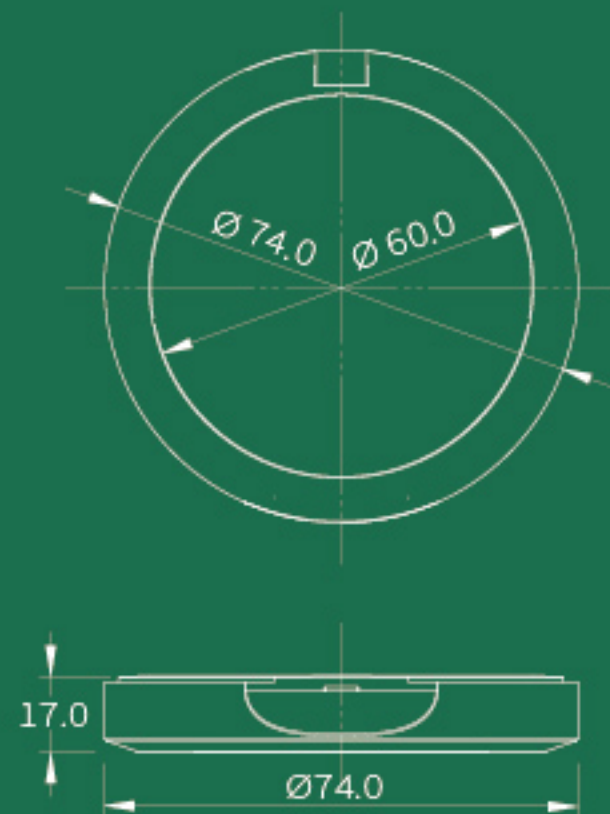
A757-1

SIZE $\phi 74.0 \text{ mm} \times 17.0 \text{ mm}$

CAPACITY 10 g

MATERIAL PMMA

Lomei



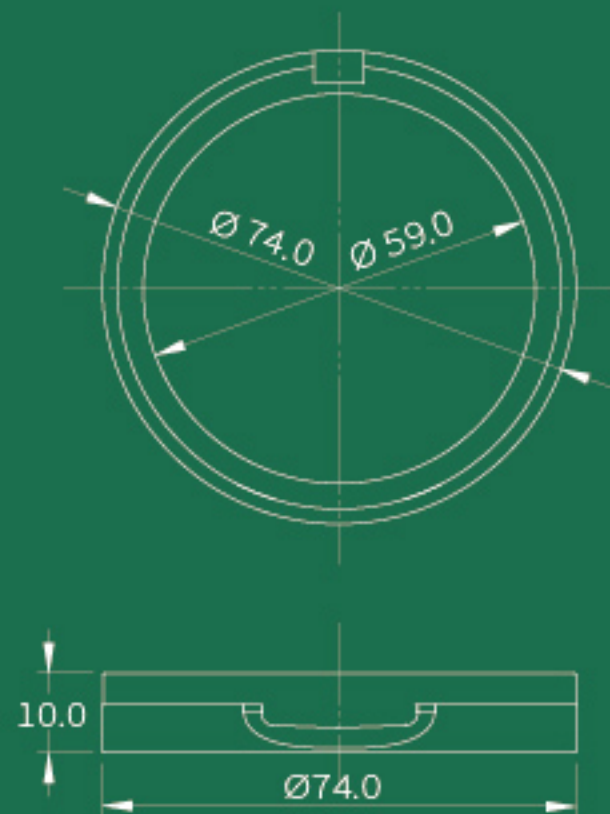
A767

SIZE $\phi 74.0 \text{ mm} \times 10.0 \text{ mm}$

CAPACITY 10 g

MATERIAL PMMA

Lomei



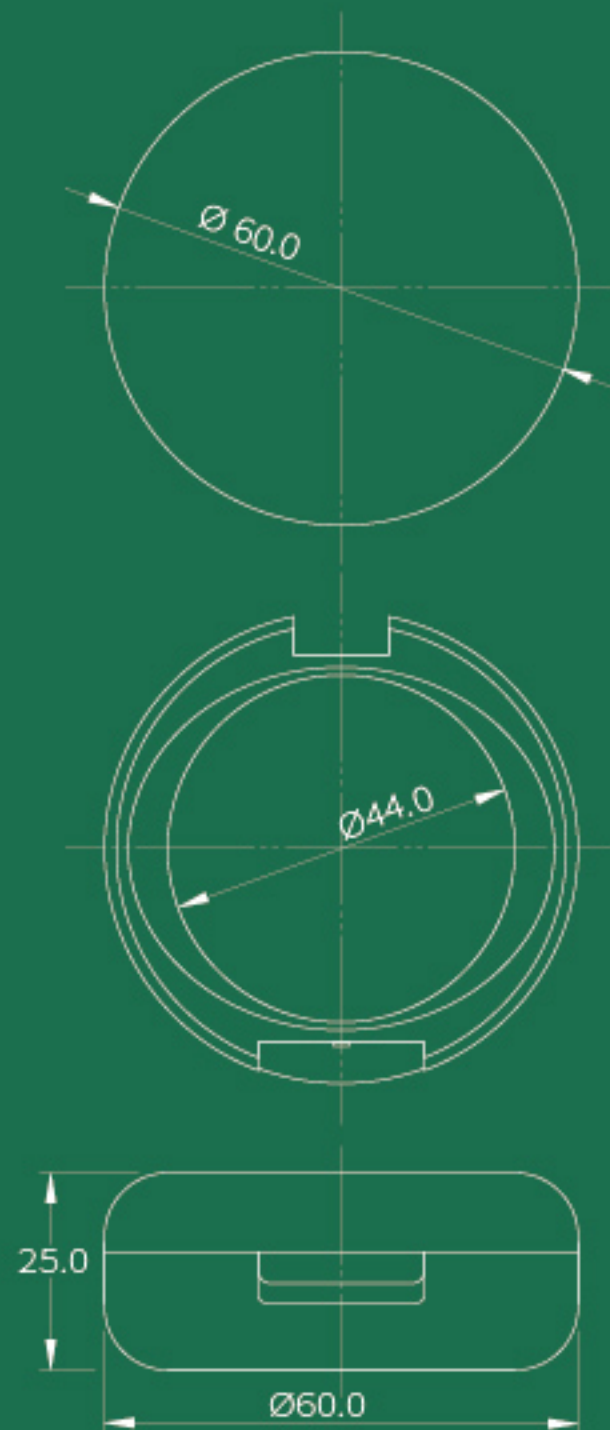
LBN11

SIZE $\phi 60.0$ mm \times 25.0 mm

CAPACITY 5.5 g

MATERIAL Cap: ABS+AS | Base: ABS+AS

Lomei



LIM123

SIZE $\phi 65.0$ mm \times 12.0 mm

CAPACITY 5.5 g

MATERIAL PETG

Lomei

