

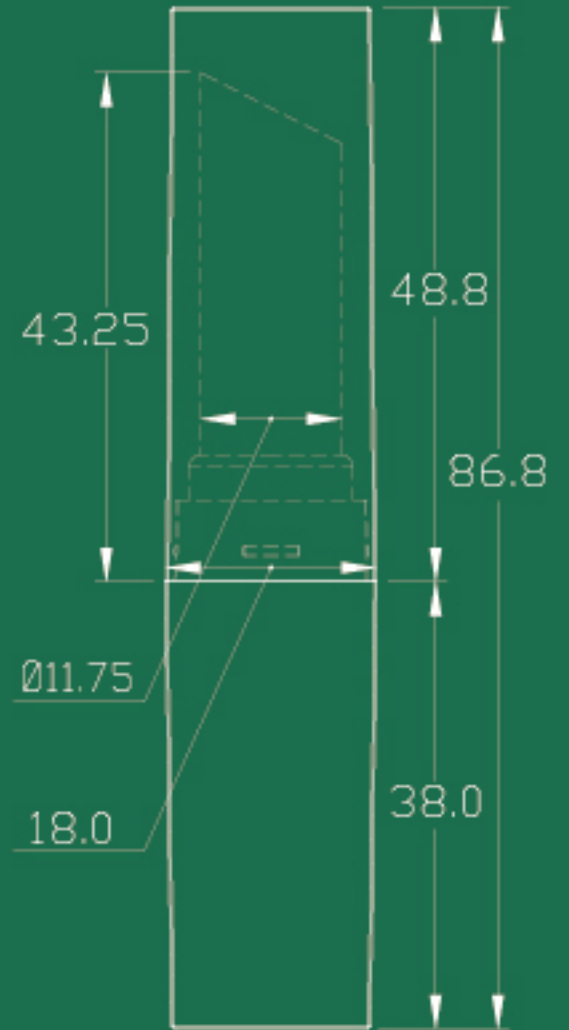
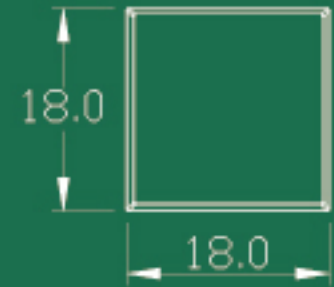
429L

SIZE 18 mm × 86.8 mm

CAPACITY 0.4 g

MATERIAL Cap / Base: PMMA | Base insert: PP | Alumin

Lomei



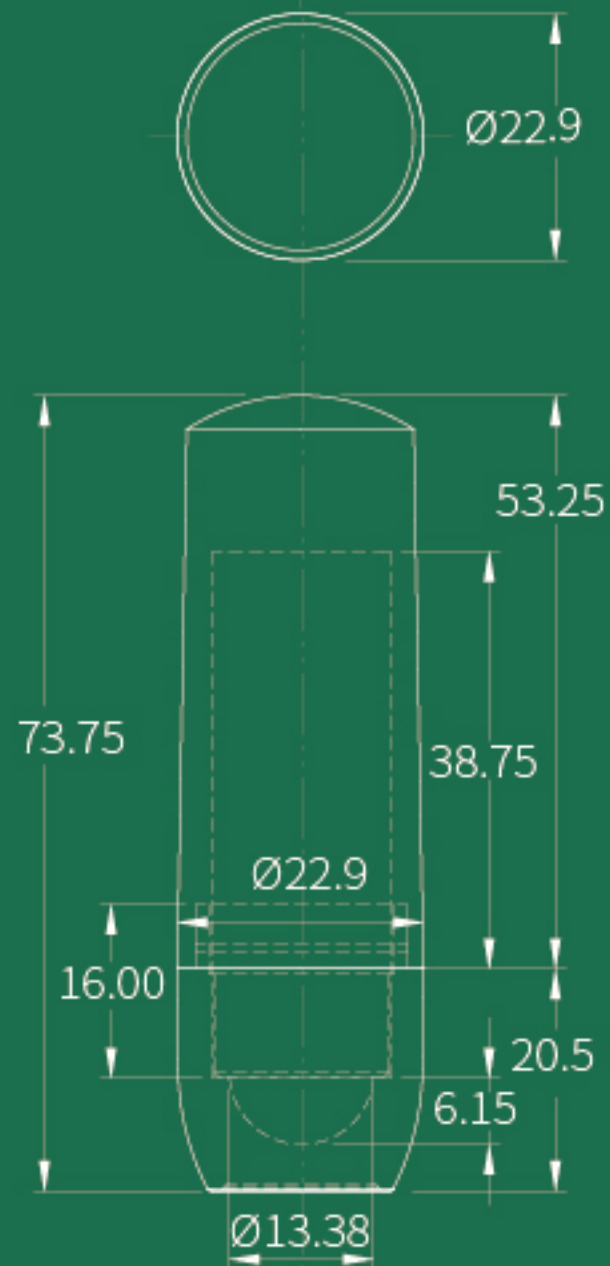
L102-1

SIZE $\phi 22.9\text{mm} \times 73.75\text{mm}$

CAPACITY Cup: 12.1/12.7mm (3.5g)

MATERIAL PMMA

Lomei



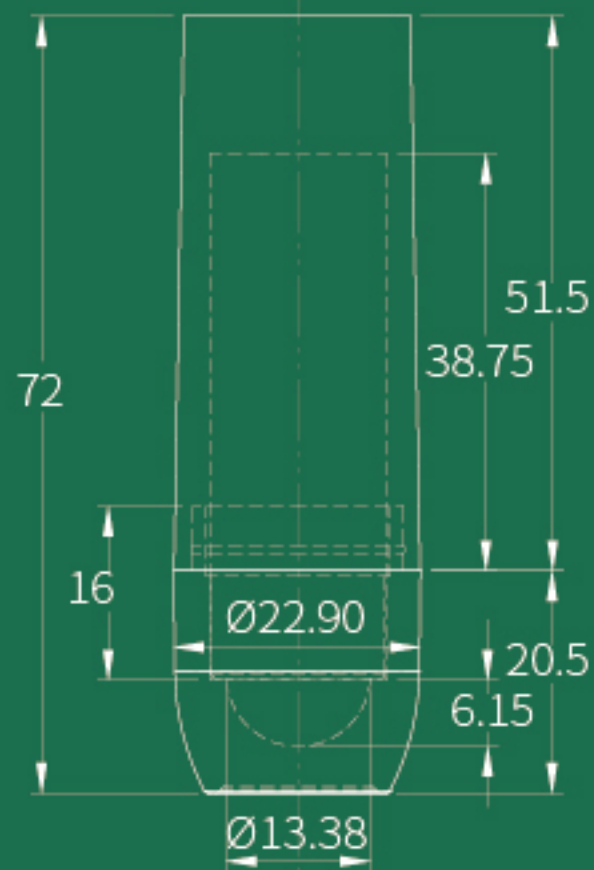
L102-2

SIZE $\phi 22.9\text{mm} \times 72\text{mm}$

CAPACITY Cup: 12.1/12.7mm (3.5g)

MATERIAL PMMA

Lomei



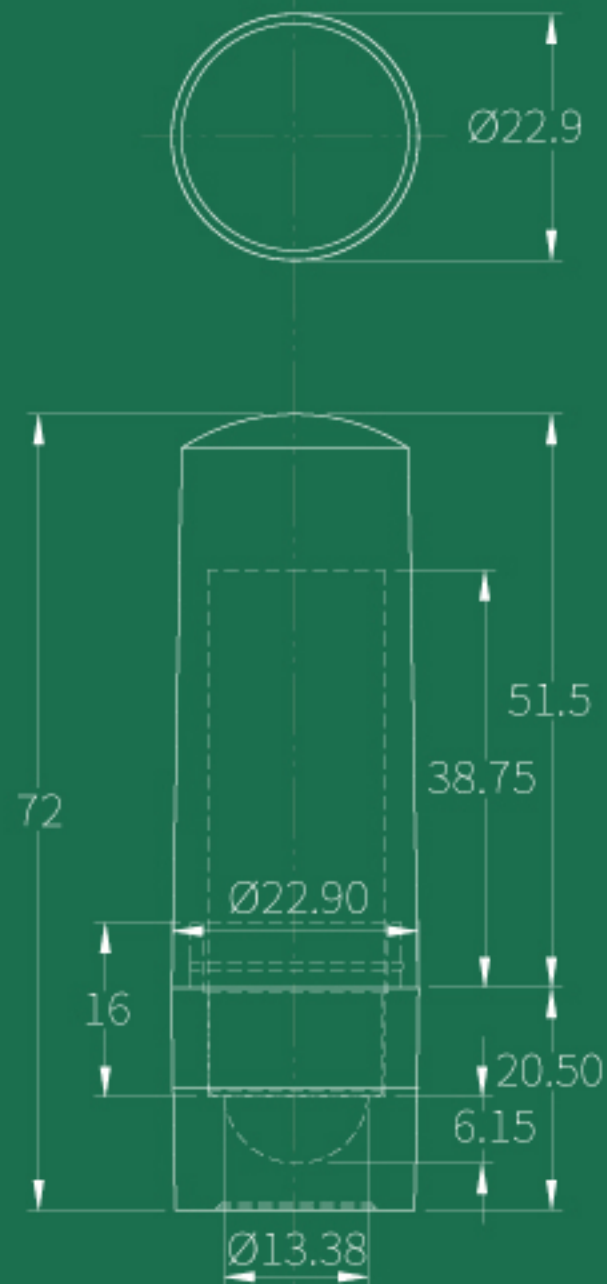
L102-3

SIZE $\phi 22.9\text{mm} \times 72\text{mm}$

CAPACITY Cup: 12.1/12.7mm (3.5g)

MATERIAL Cap&Base: PMMA

Lomei



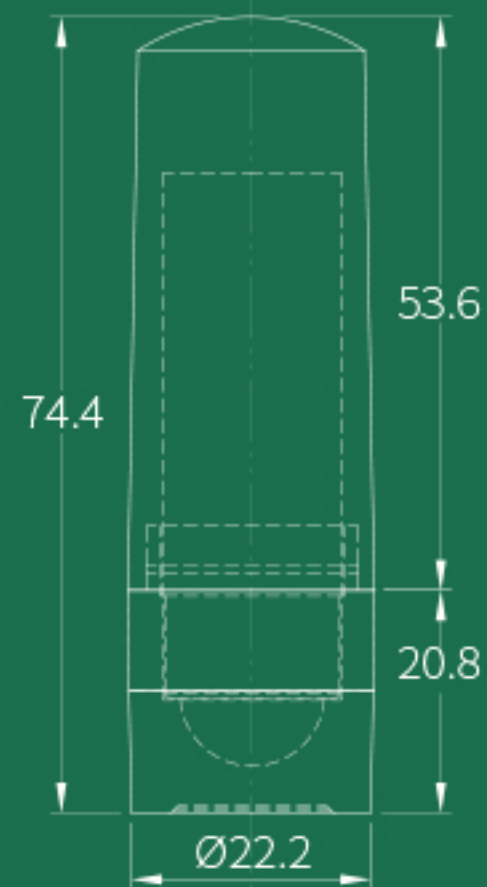
L102-4

SIZE $\phi 22.0\text{mm} \times 74.4\text{mm}$

CAPACITY Cup: 12.1/12.7mm (3.5g)

MATERIAL Cap&Base: PMMA

Lomei



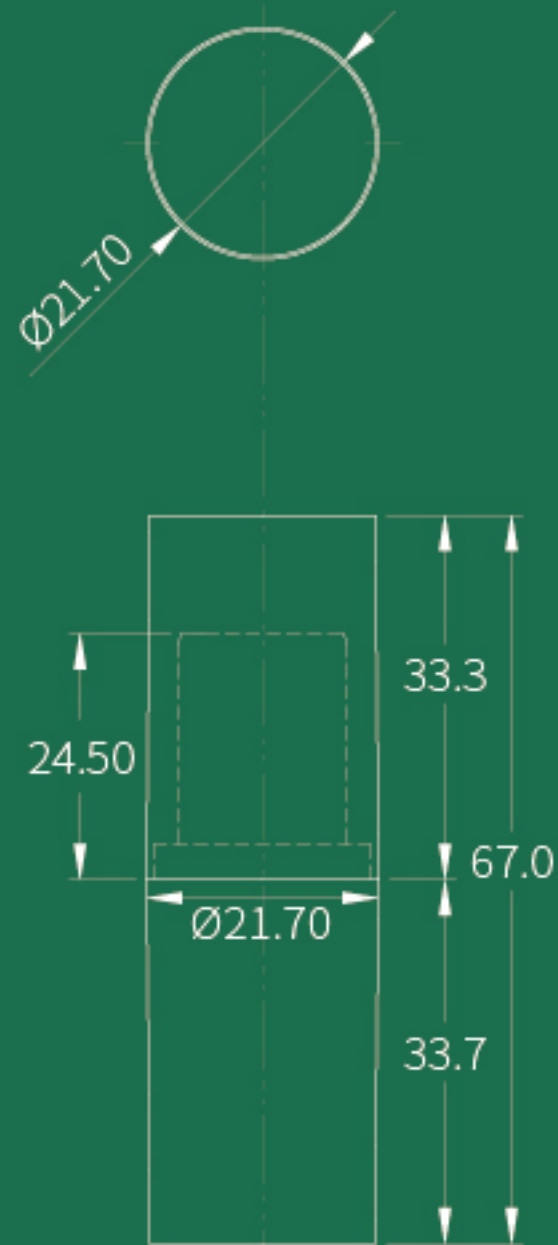
L229

SIZE $\phi 21.7\text{mm} \times 67.0\text{mm}$

CAPACITY Cup: 12.1/12.7mm (3.5g)

MATERIAL PMMA

Lomei



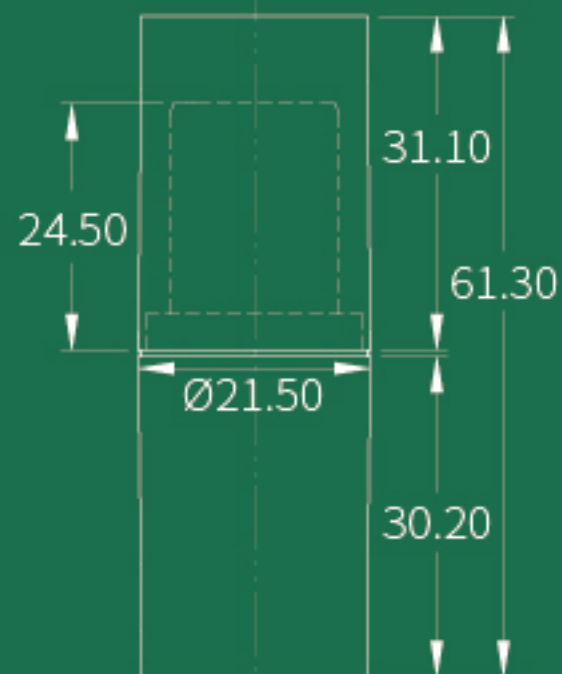
L229-1

SIZE $\phi 21.5\text{mm} \times 61.3\text{mm}$

CAPACITY Cup: 12.1/12.7mm (3.5g)

MATERIAL PMMA

Lomei



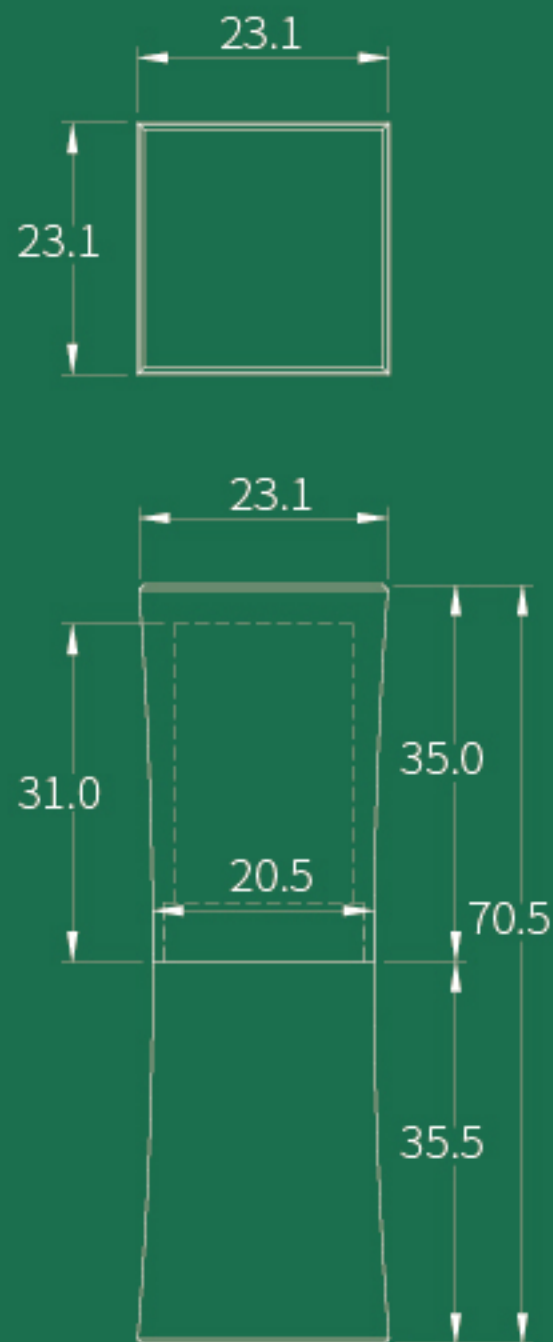
L339

SIZE 23.1mm × 23.1mm × 70.5mm

CAPACITY Cup: 12.1/12.7mm (3.5g)

MATERIAL PMMA

Lomei



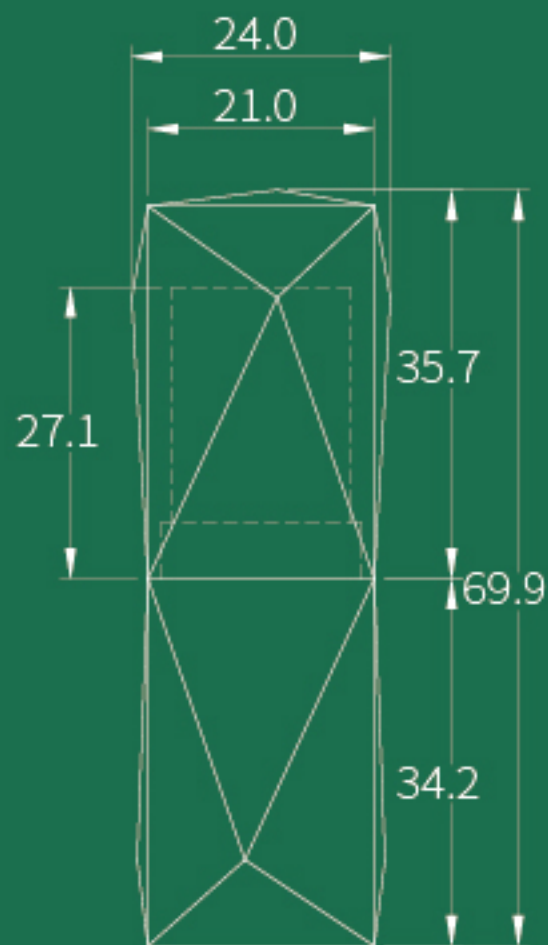
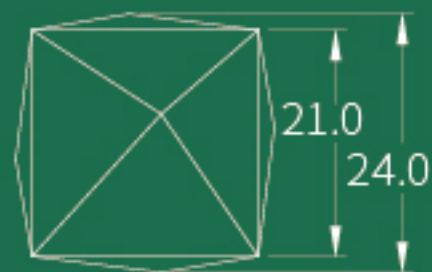
L339-1

SIZE 24.0mm × 24.0mm × 69.9mm

CAPACITY Cup: 12.1/12.7mm (3.5g)

MATERIAL PMMA

Lomei



L429

SIZE 22.5mm × 22.5mm × 66.6mm

CAPACITY Cup: 12.1mm / 12.7mm (3.5g)

MATERIAL PMMA

Lomei

