

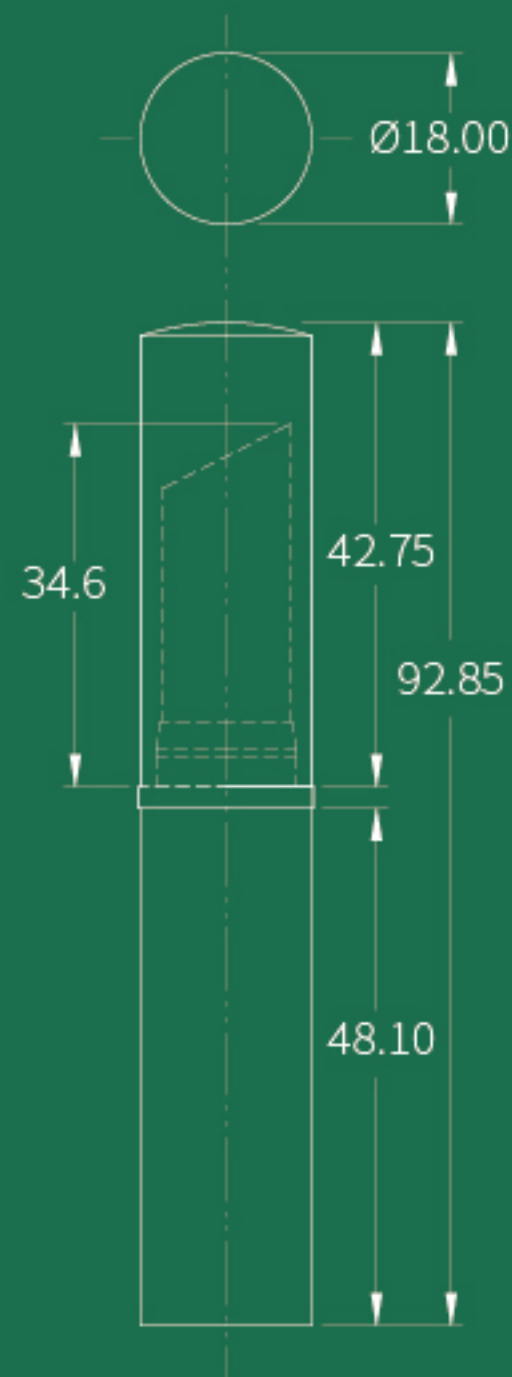
L019-1

SIZE $\phi 18\text{mm} \times 92.85\text{mm}$

CAPACITY Cup: 10.0mm

MATERIAL Sleeve: Aluminum / Cap&Base: ABS+AS

Lomei



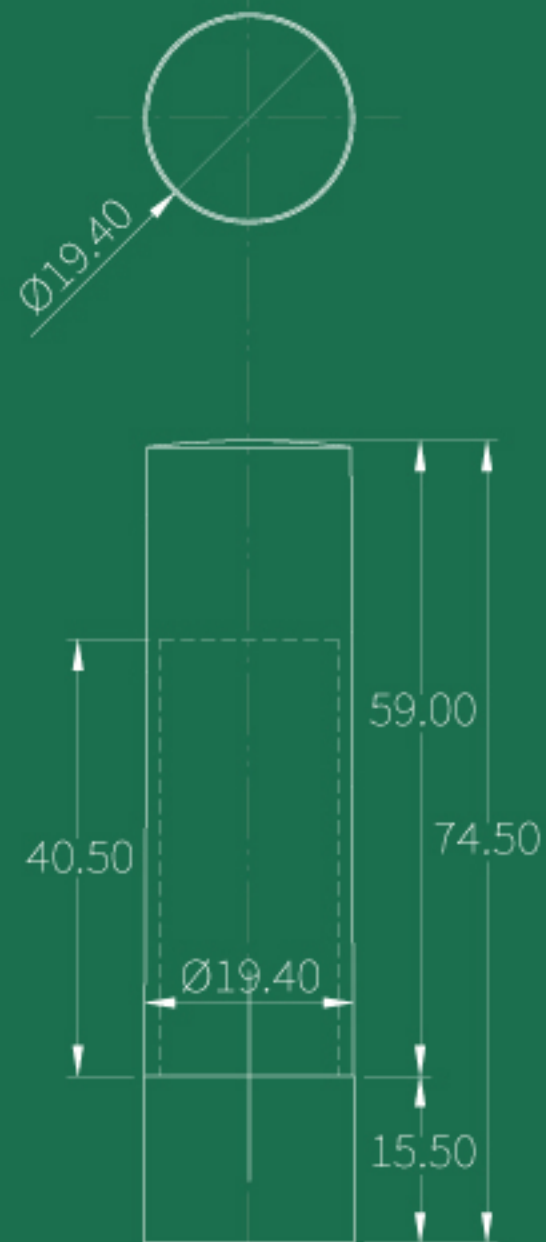
L120

SIZE $\phi 19.40\text{mm} \times 74.5\text{mm}$

CAPACITY Cup: 12.1/12.7mm (3.5g)

MATERIAL PS

Lomei



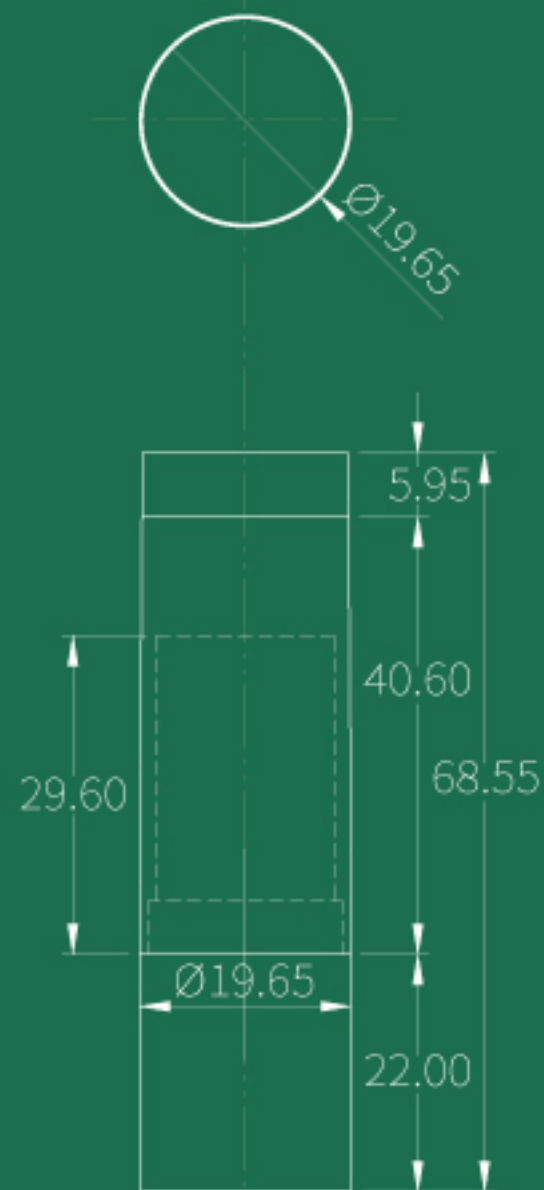
L120-1

SIZE $\phi 19.65\text{mm} \times 68.55\text{mm}$

CAPACITY Cup: 12.1/12.7mm (3.5g)

MATERIAL PS

Lomei



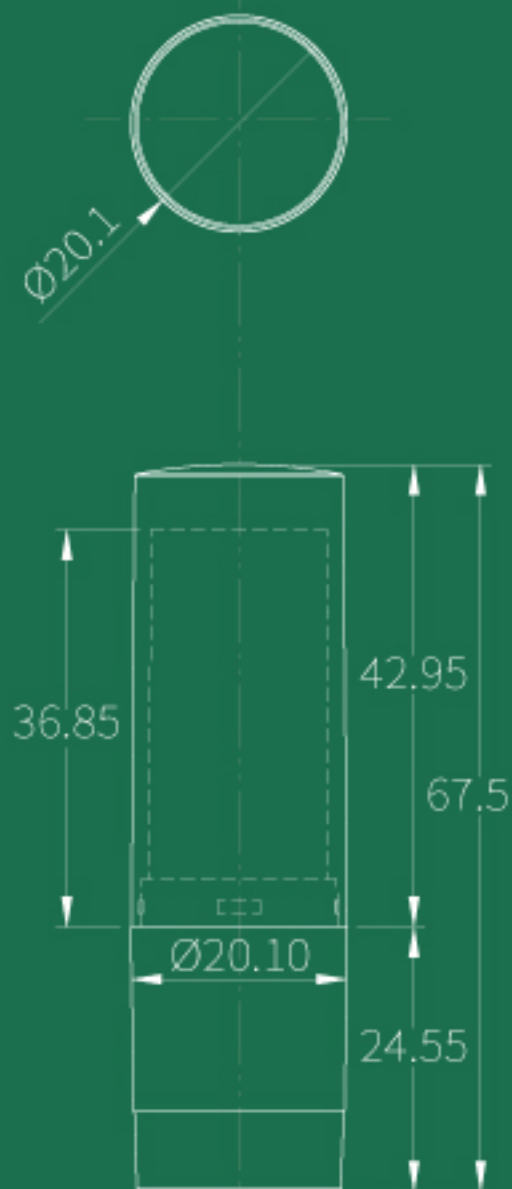
L120-3

SIZE $\phi 20.1\text{mm} \times 67.5\text{mm}$

CAPACITY Cup: 12.1/12.7mm (3.5g)

MATERIAL Cap/Base/Bottom: SAN | Sleeve: PS

Lomei



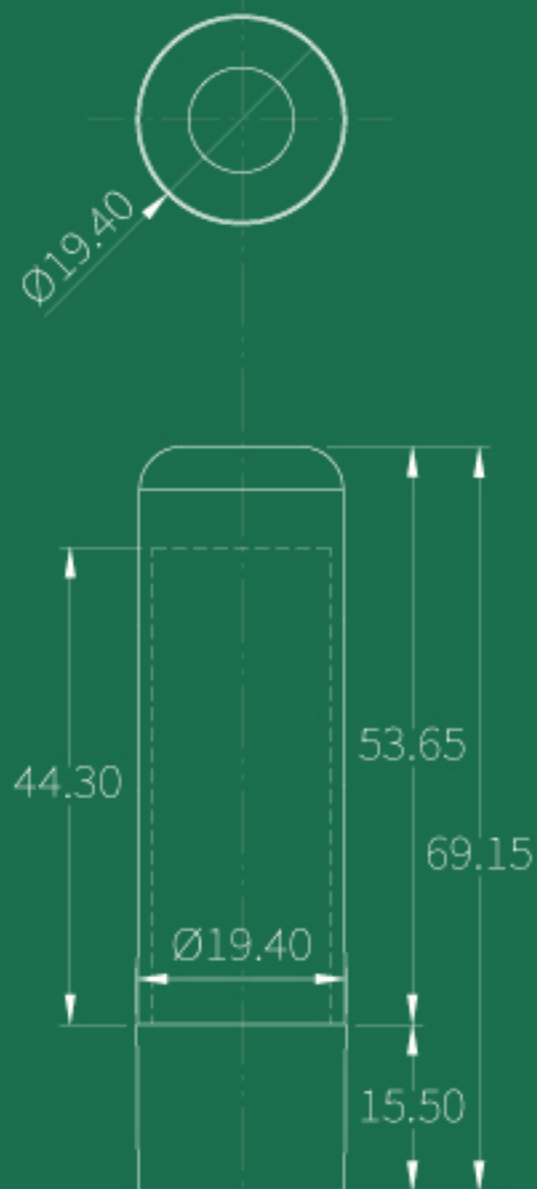
L130

SIZE $\phi 19.4\text{mm} \times 69.15\text{mm}$

CAPACITY Cup: 12.1/12.7mm (3.5g)

MATERIAL PS

Lomei



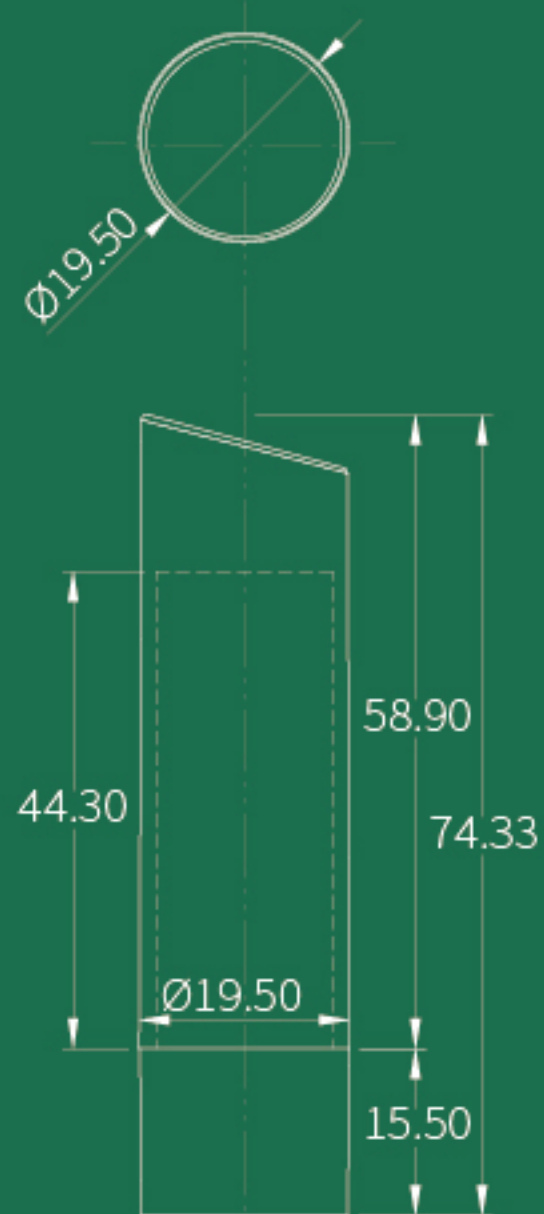
L130P

SIZE $\phi 19.5\text{mm} \times 74.33\text{mm}$

CAPACITY Cup: 12.1/12.7mm (3.5g)

MATERIAL PS

Lomei



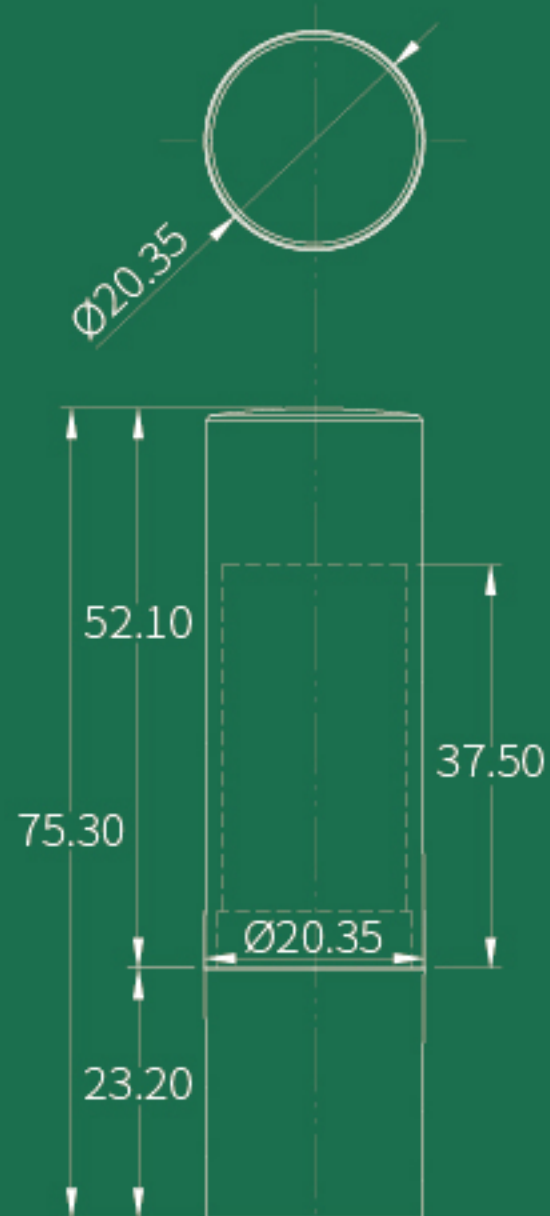
L150

SIZE $\phi 20.35\text{mm} \times 75.30\text{mm}$

CAPACITY Cup: 12.1/12.7mm (3.5g)

MATERIAL PS

Lomei



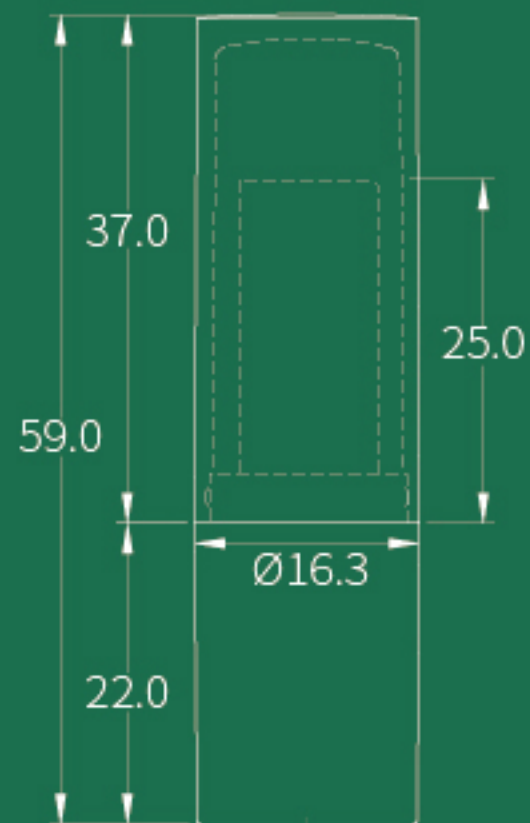
L170

SIZE $\phi 16.3\text{mm} \times 59.0\text{mm}$

CAPACITY Cup: 9mm

MATERIAL Cap&Base : ABS

Lomei



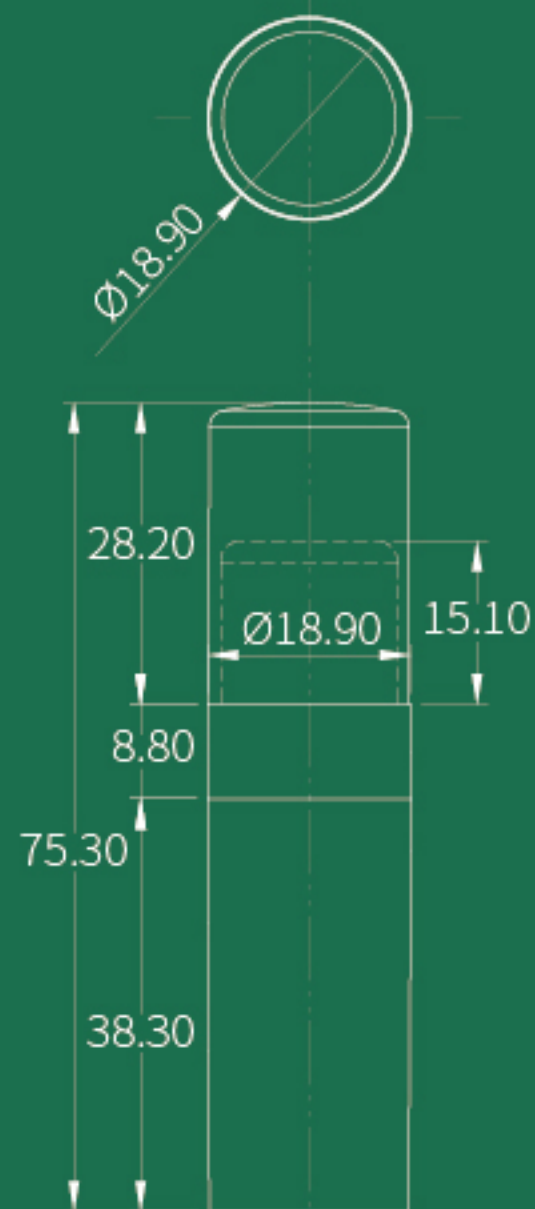
L318

SIZE $\phi 18.9\text{mm} \times 75.3\text{mm}$

CAPACITY Cup: 12.1/12.7mm (3.5g)

MATERIAL ABS+SAN

Lomei



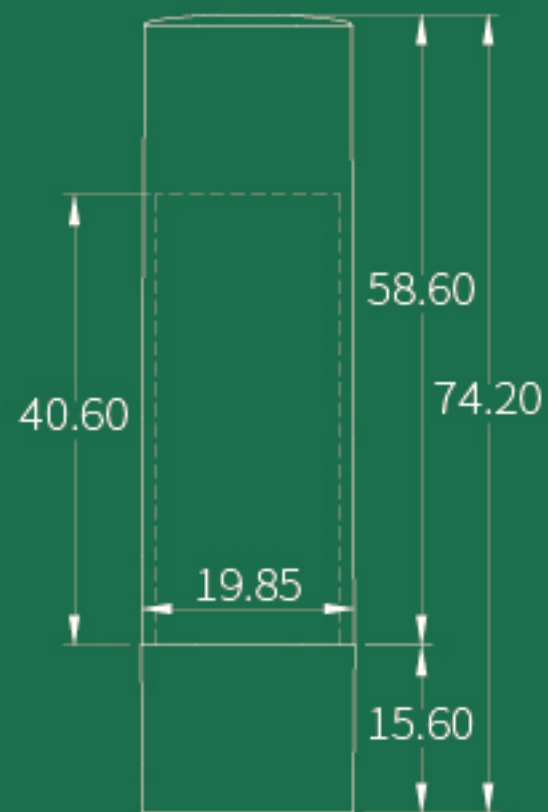
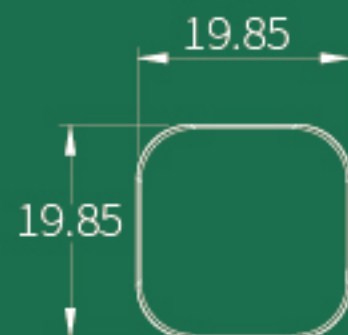
L332

SIZE 19.85mm × 19.85mm × 74.20mm

CAPACITY Cup: 12.1/12.7mm (3.5g)

MATERIAL PS

Lomei



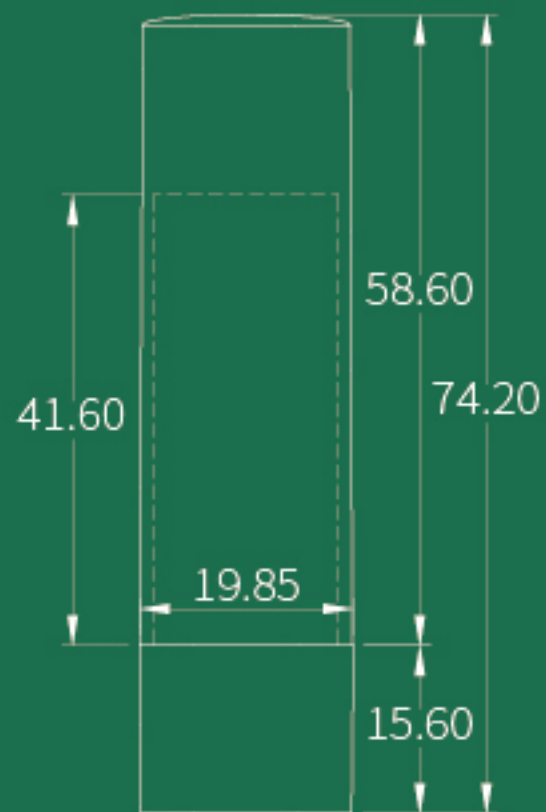
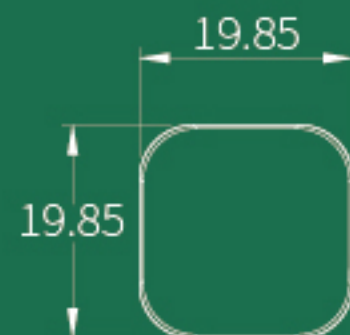
L332AL

SIZE 19.85mm × 19.85mm × 74.20mm

CAPACITY Cup: 12.1/12.7mm (3.5g)

MATERIAL Cap & Base: PS | Sleeve: Aluminum

Lomei



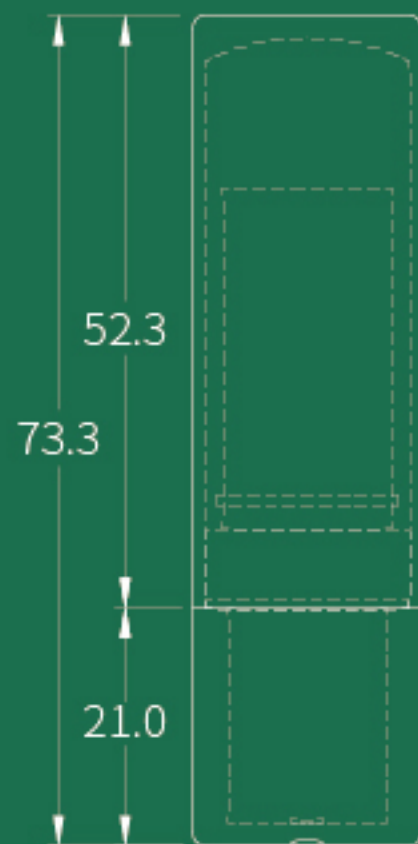
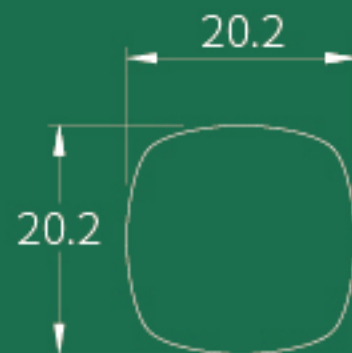
L333

SIZE 20.2mm × 20.2mm × 73.3mm

CAPACITY Cup: 12.1

MATERIAL Cap: AS | Base: PS

Lomei



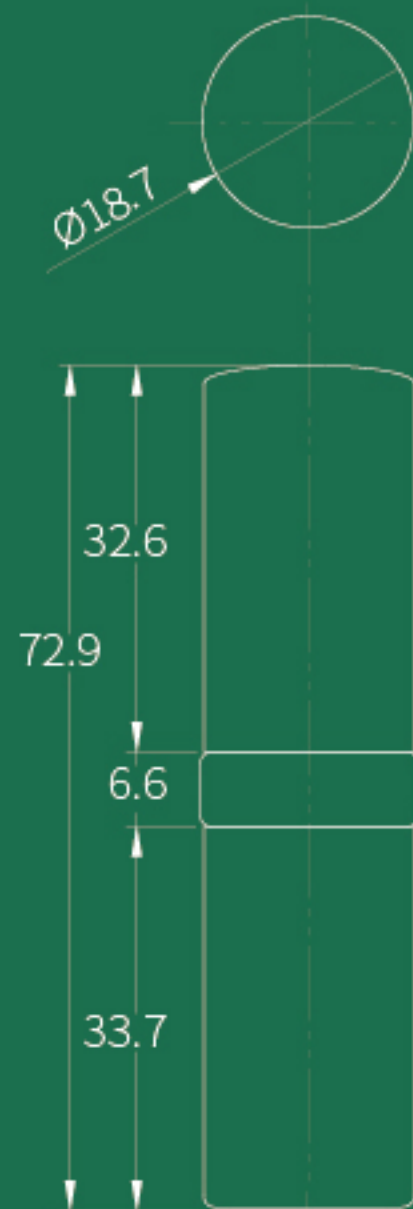
L336

SIZE $\phi 18.7\text{mm} \times 72.9\text{mm}$

CAPACITY Cup: 12.1/12.7mm (3.5g)

MATERIAL Cap/Base: AS | Sleeve: Aluminum

Lomei



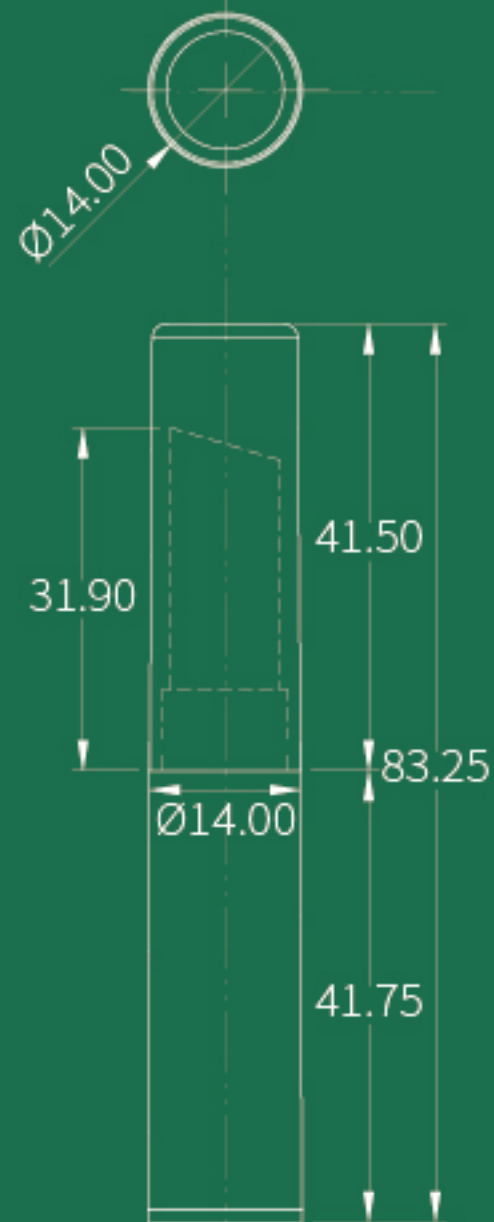
L383

SIZE $\phi 14.00\text{mm} \times 83.25\text{mm}$

CAPACITY Cup: 8.22mm (2.8g)

MATERIAL Cap/Base: ABS+AS | Sleeve: Aluminum

Lomei



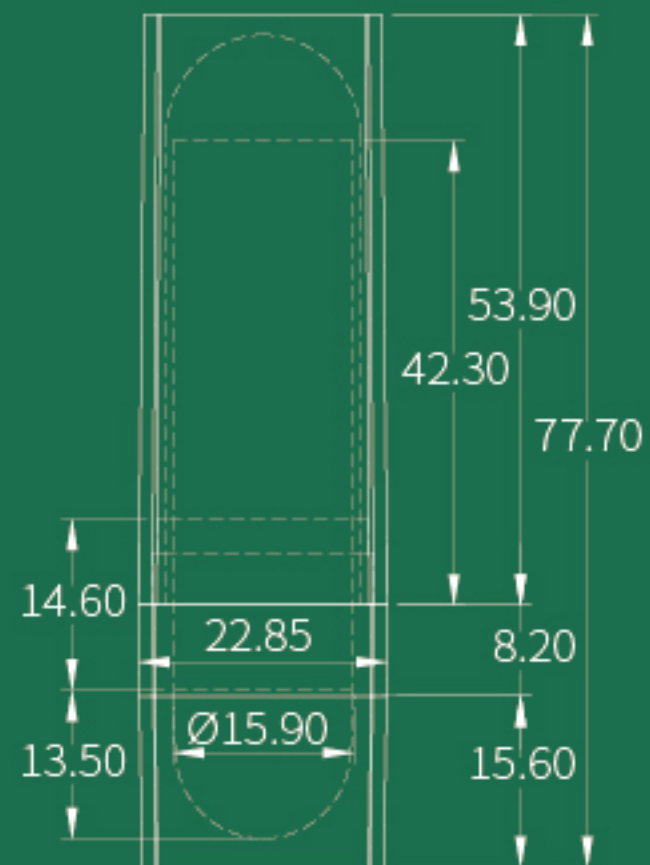
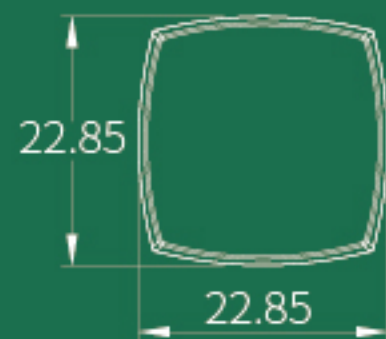
L789

SIZE 22.85mm × 22.85mm × 77.70mm

CAPACITY Cup: 12.1mm / 12.7mm (3.5g)

MATERIAL Cap / Base: PMMA | Band: ABS

Lomei



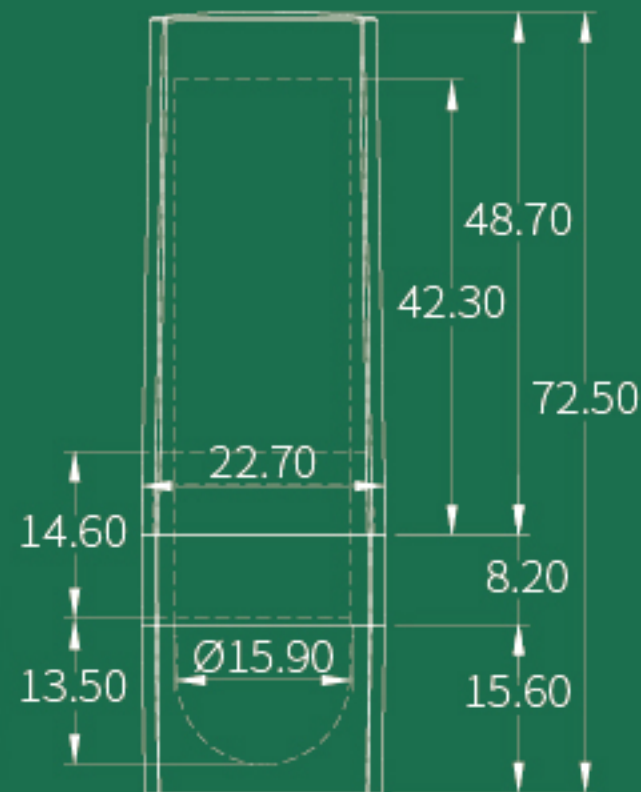
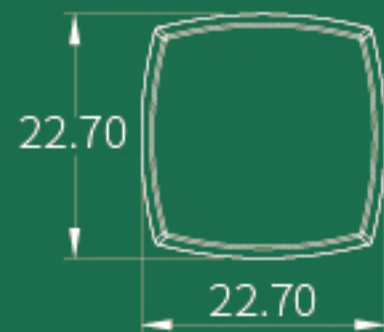
L789-1

SIZE 22.7mm × 22.7mm × 72.5mm

CAPACITY Cup: 12.1mm / 12.7mm (3.5g)

MATERIAL Cap / Band: ABS | Base: PMMA

Lomei



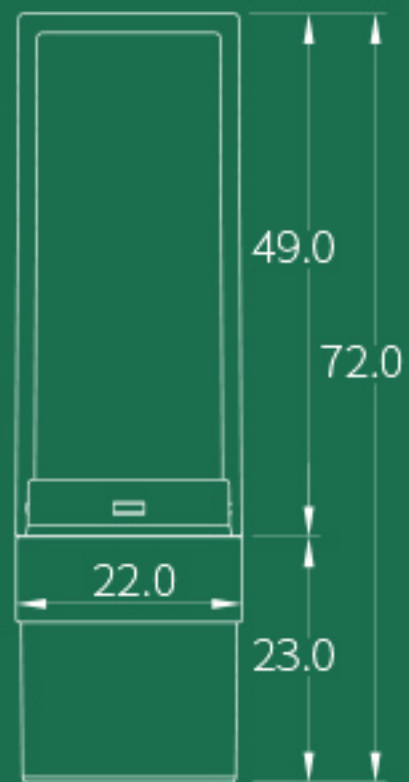
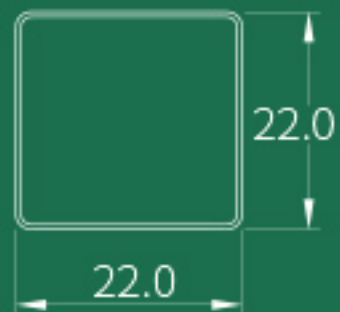
L869

SIZE 22.0 mm × 22.0 mm × 72.0 mm

CAPACITY Cup: 12.1mm / 12.7mm (3.5g)

MATERIAL Cap: ABS / Base: PMMA

Lomei



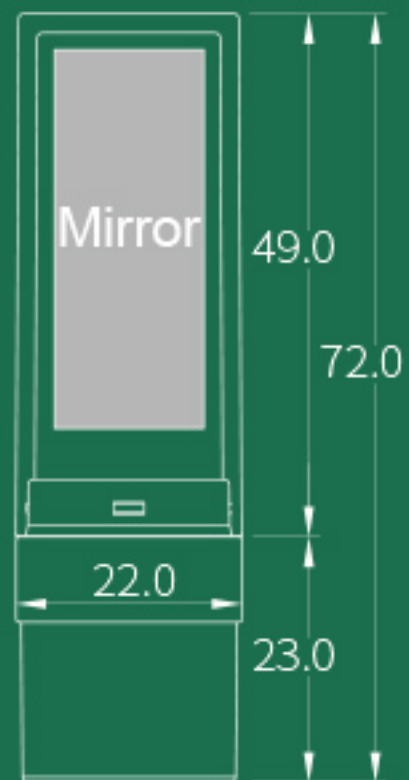
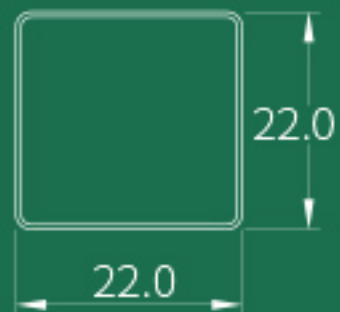
L869-1

SIZE 22.0 mm × 22.0 mm × 72.0 mm

CAPACITY Cup: 12.1mm / 12.7mm (3.5g)

MATERIAL Cap: ABS / Base: PMMA

Lomei



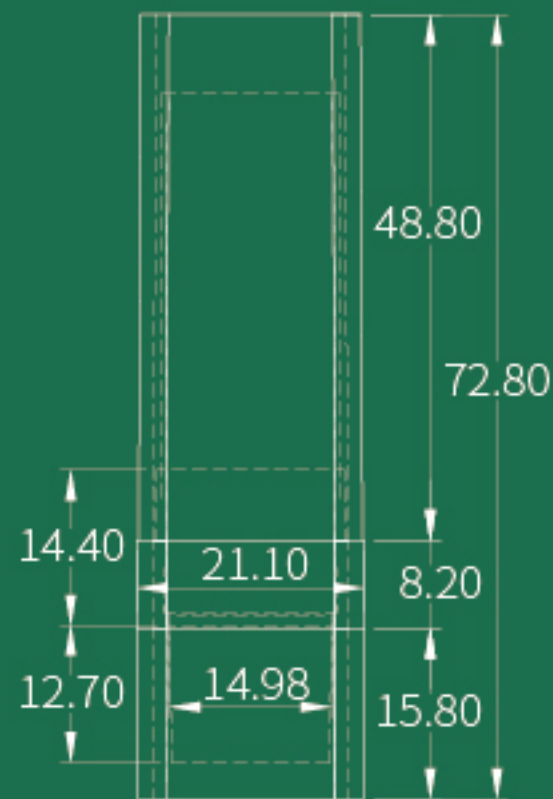
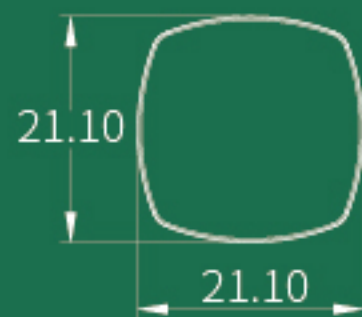
L869-2

SIZE 21.1mm × 21.1mm × 72.8mm

CAPACITY Cup: 12.1mm / 12.7mm (3.5g)

MATERIAL AS

Lomei



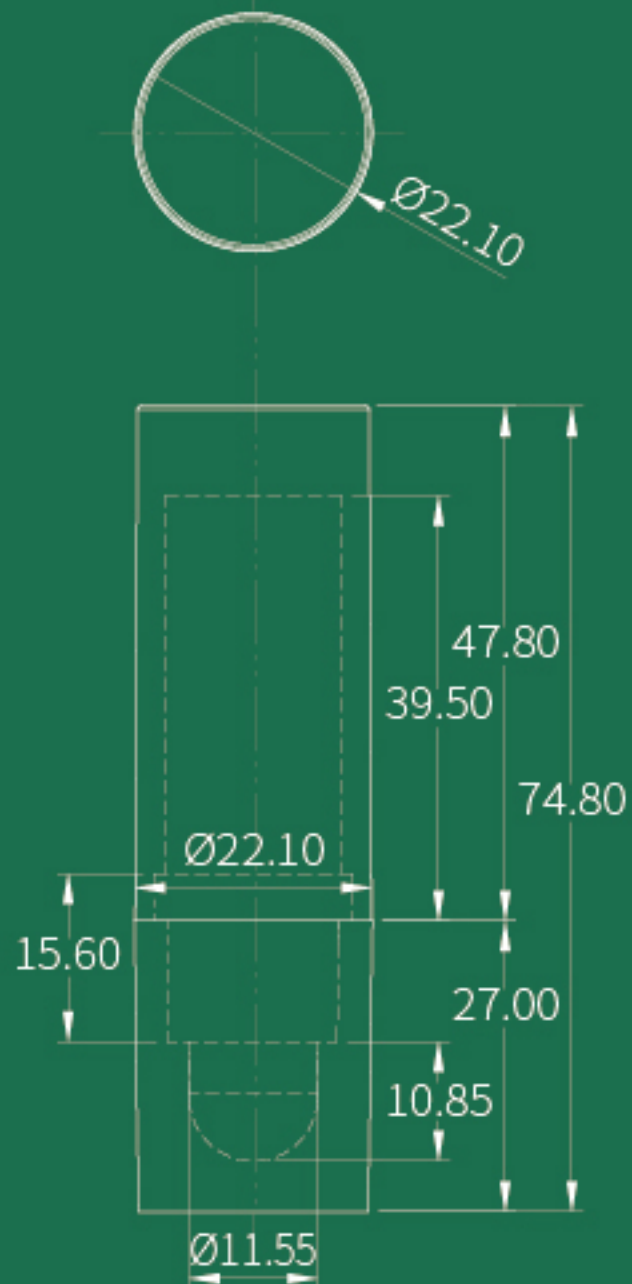
L2292

SIZE $\phi 22.1\text{mm} \times 74.8\text{mm}$

CAPACITY Cup: 12.1mm / 12.7mm (3.5g)

MATERIAL Cap: ABS / Base: PMMA

Lomei



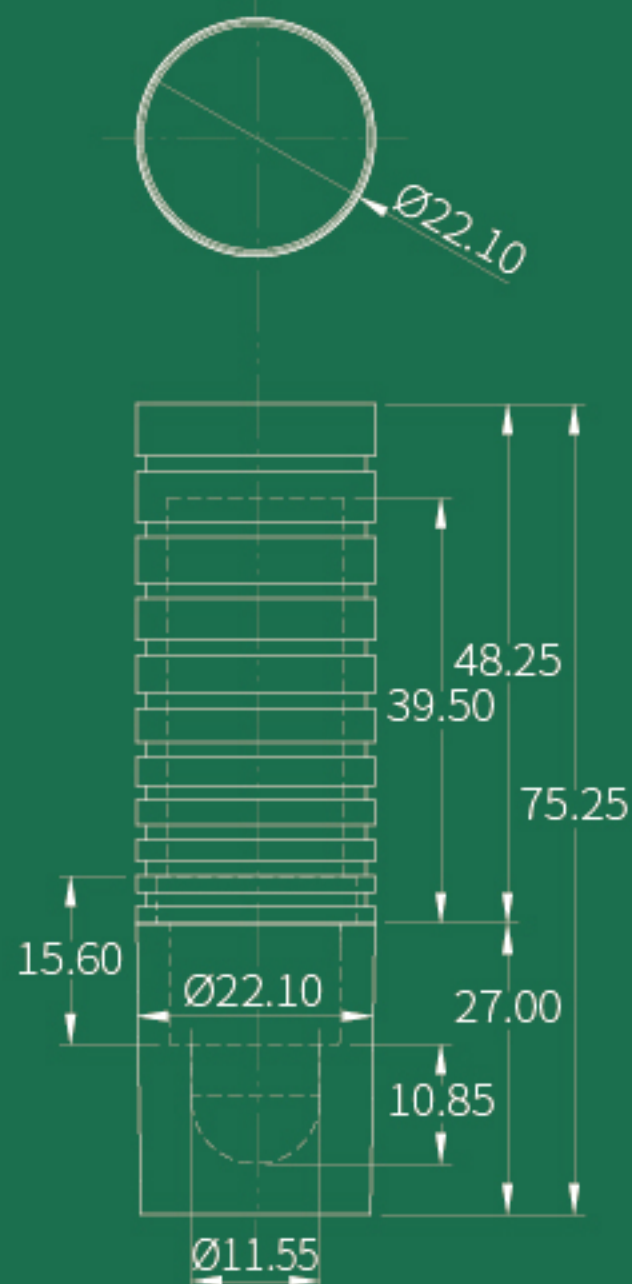
L2292-1

SIZE $\phi 22.10\text{mm} \times 75.25\text{mm}$

CAPACITY Cup: 12.1mm / 12.7mm (3.5g)

MATERIAL Cap: ABS / Base: PMMA

Lomei



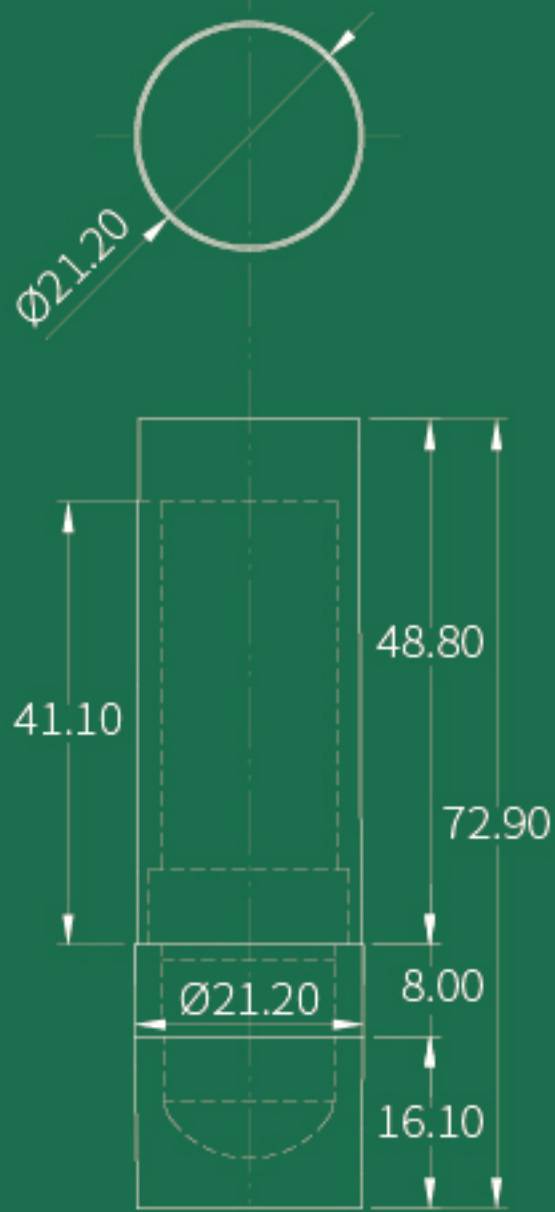
L2292-2

SIZE $\phi 22.20\text{mm} \times 72.90\text{mm}$

CAPACITY Cup: 12.1mm / 12.7mm (3.5g)

MATERIAL AS

Lomei



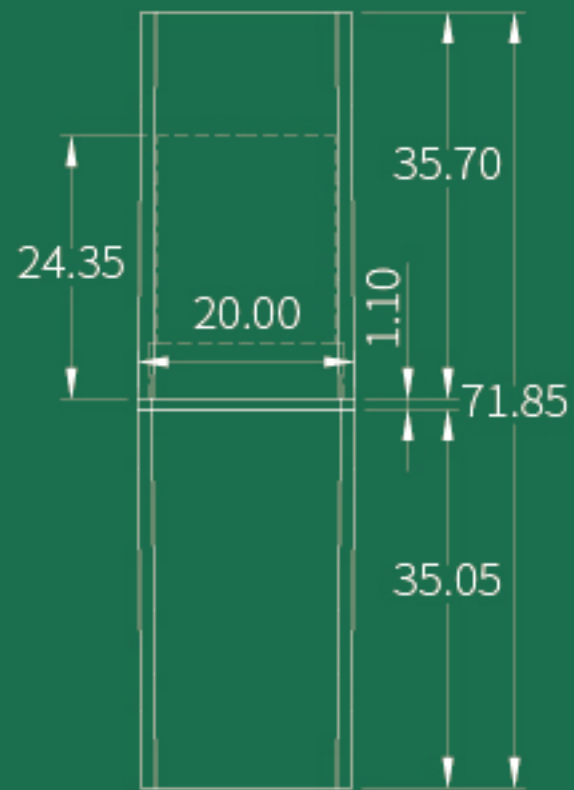
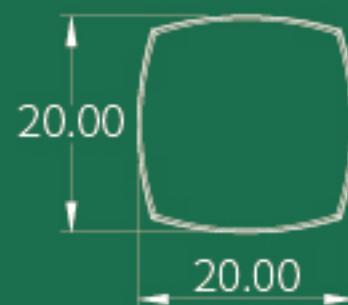
LM029

SIZE 20.00mm × 20.00mm × 71.85mm

CAPACITY 3.5g

MATERIAL AS

Lomei



LM180

SIZE $\phi 17.15\text{mm} \times 88.10\text{mm}$

CAPACITY Cup: 11.7 mm

MATERIAL Cap: AS / Base: ABS

Lomei

