

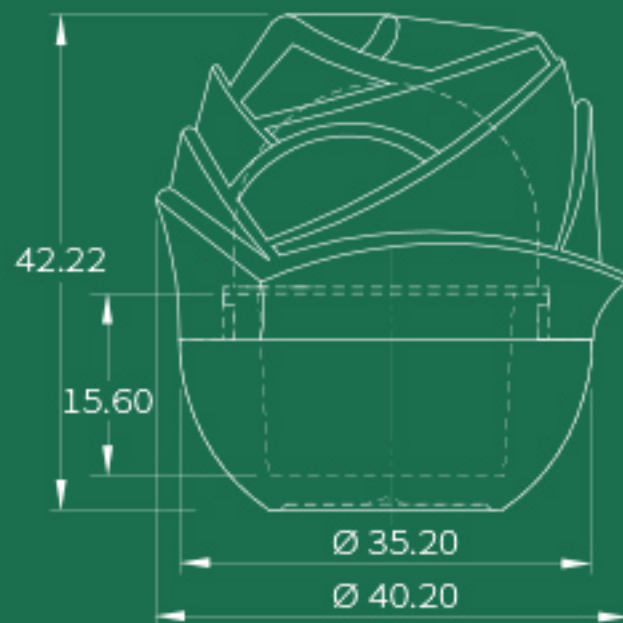
EP18

SIZE 42.50 mm × 42.22 mm

CAPACITY Cap: 6.5g / Base: 4g

MATERIAL Cap : PMMA / Base : PMMA

Lomei



W29

SIZE 34.3 mm × 34.3 mm × 38.2 mm

CAPACITY 8.5g

MATERIAL PMMA

Lomei

